

---

## KATE TASK CHAIR

---



### Features

- 2 Lever Mechanism
- Adjustable seat height
- Adjustable back height
- Adjustable seat angle (with 3 lever mechanism only)
- Adjustable back angle
- Moulded seat and back foam
- 600mm black nylon base
- AFRDI tested to level 6
- Suitable for indoor use only
- 7 year warranty
- Weight limit is 130kg

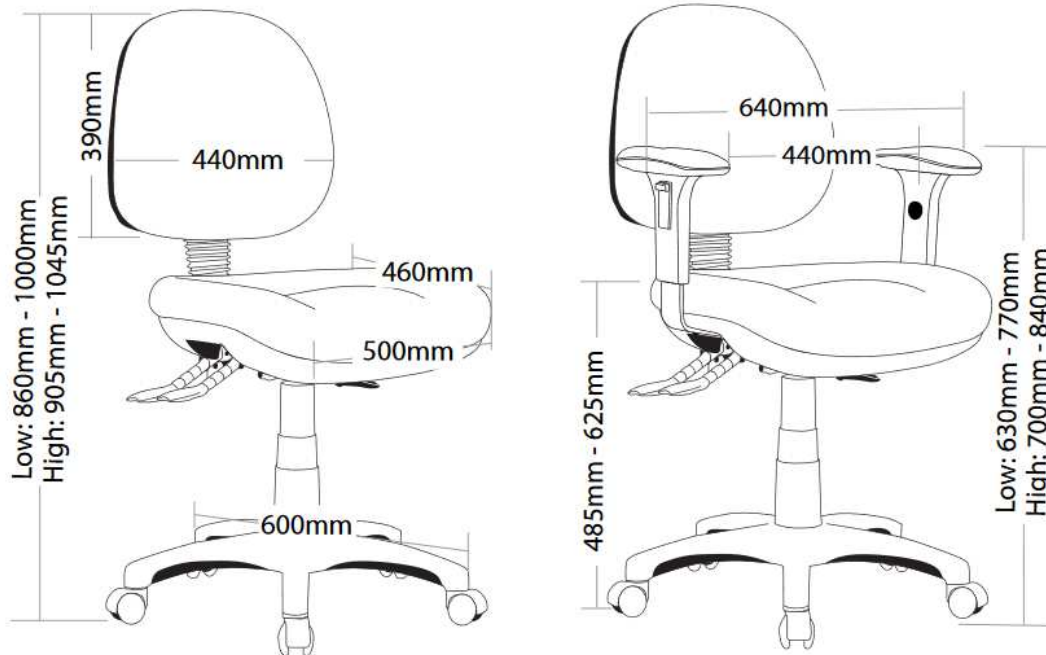
### Accessories / Options

- Optional in High Back
- Optional adjustable arms
- Optional seat angle (with 3 lever mechanism only)
- Optional Seat Slider (not available on drafting chair)
- Optional drafting kit
- Optional 3 lever mechanism
- Optional local Fabric Upholstery

### Certification



## Technical Specifications



All dimensions are nominal and subject to change without notice

Kate is available in other sizes and options



Mid Back

Mid Back + Arms

High Back

High Back + Arms

Drafting